



Blumoil



Lubricants

Hydraulics

Engine

Transmission

www.blumaq.com





**Lubricants
Range**

HYDRAULICS



Shell Hydraulic S1 M 46

BLUMOIL HYD. HLP46

Ref: 550027128

Base oil of high miscibility with other products, low viscosity (<math> < 20.5 \text{ mm}^2 / \text{s}</math> at 40 ° C)

Appearance: Liquid at room temperature.

Colour: Amber.

Smells: Light hydrocarbon.

Boiling point: > 280 °C

Flash point: 240 °C

Method: ISO 2592

209l.



Viscosity ISO
HM 46

Shell Hydraulic S1 M 68

BLUMOIL HYD. HLP68

Ref: 550027154

Base oil of high miscibility with other products, low viscosity (<math> < 20.5 \text{ mm}^2 / \text{s}</math> at 40 ° C)

Appearance: Liquid at room temperature.

Colour: Amber.

Smells: Light hydrocarbon.

Boiling point: > 280 °C

Flash point: 240 °C

Method: ISO 2592

209l.



Viscosity ISO
HM 68

Shell Tellus S2 MX 46

BLUMOIL HYD. HLP46

Ref: 550045430

Base oil of high miscibility with other products, low viscosity ($20.5 \text{ mm}^2 / \text{s}$ at 40°C)

Appearance: Liquid

Colour: Clear

Smells: Light hydrocarbon.

Boiling point: > 280°C

Flash point: 230°C

20l.



Viscosity ISO
HM 46

Shell Tellus S2 MX 68

BLUMOIL HYD. HLP68

Ref: 550045418

Base oil of high miscibility with other products, low viscosity ($20.5 \text{ mm}^2 / \text{s}$ at 40°C)

Appearance: Liquid

Colour: Clear

Smells: Light hydrocarbon.

Boiling point: > 280°C

Flash point: 230°C

20l.



Viscosity ISO
HM 68

Shell Tellus S2 VX 46

BLUMOIL HYD. HLP46

Ref: 550045525

Base oil of high miscibility with other products, low viscosity (<math> < 20.5 \text{ mm}^2 / \text{s}</math> at 40 ° C)

Appearance: Liquid at room temperature.

Colour: Amber.

Smells: Light hydrocarbon.

Boiling point: > 280 °C

Flash point: 240 °C

Method: ISO 2592

20l.



Viscosity ISO
HM 46

Shell Tellus S2 VX 46

BLUMOIL HYD. HLP46

Ref: 550045524

Base oil of high miscibility with other products, low viscosity (<math> < 20.5 \text{ mm}^2 / \text{s}</math> at 40 ° C)

Appearance: Liquid at room temperature.

Colour: Amber.

Smells: Light hydrocarbon.

Boiling point: > 280 °C

Flash point: 240 °C

Method: ISO 2592

209l.



Viscosity ISO
HM 46

Shell Tellus S2 VX 68

BLUMOIL HYD. HLP68

Ref: 550045522

Base oil of high miscibility with other products, low viscosity (<math> < 20.5 \text{ mm}^2 / \text{s}</math> at 40 ° C)

Appearance: Liquid

Colour: Clear

Smells: Light hydrocarbon.

Boiling point: > 280 °C

Flash point: 220 °C

20l.



Viscosity ISO
HV 68

Shell Tellus S2 VX 68

BLUMOIL HYD. HLP68

Ref: 550045527

Base oil of high miscibility with other products, low viscosity (<math> < 20.5 \text{ mm}^2 / \text{s}</math> at 40 ° C)

Appearance: Liquid

Colour: Clear

Smells: Light hydrocarbon.

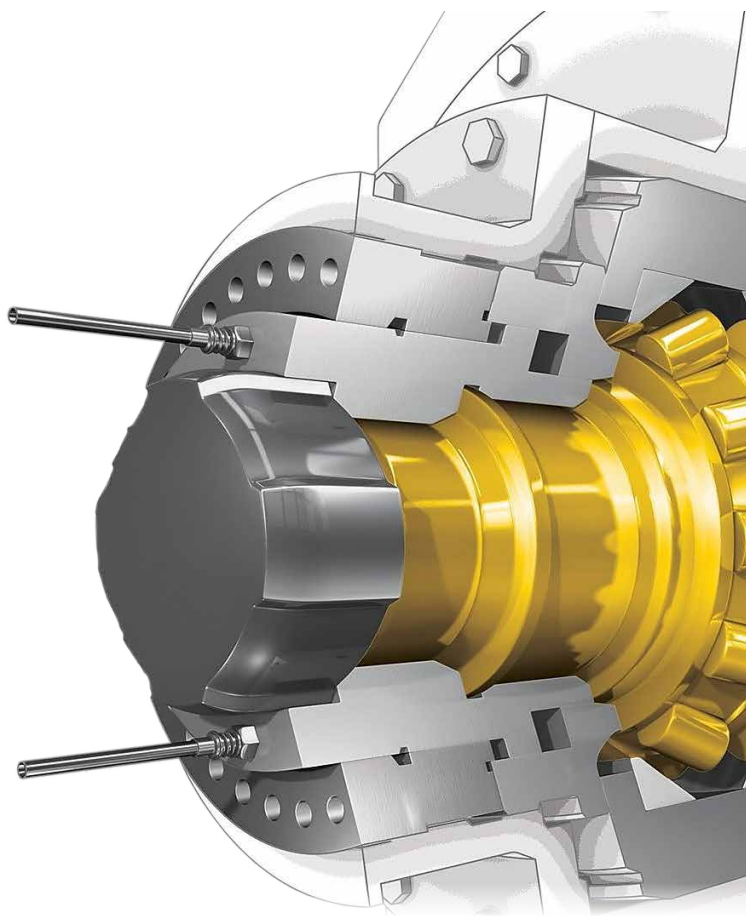
Boiling point: > 280 °C

Flash point: 220 °C

209l.



Viscosity ISO
HV 68





**Lubricants
Range**
ENGINE

Shell Rimula R3 Turbo 15W-40

BLUMOIL 15W40

Ref: 550041567

Base oil of high miscibility with other products, low viscosity (<math> < 20.5 \text{ mm}^2 / \text{s}</math> at 40 ° C)

Appearance: Liquid at room temperature.

Colour: Amber.

Smells: Light hydrocarbon.

Boiling point: > 280 °C

Flash point: 230 °C

API: CH-4, CG-4, CF-4, CF; ACEA: E5, E3; Caterpillar: ECF-1-A; Cummins: CES 20077, 76, 75, 72, 71; DDC: 93K215; Mack: EO-M, EO-M+; MAN: M3275; MB Approval: 228.3; MTU: Category 2; Renault Trucks: RD-2; Volvo: VDS-2 Allison C4

20l.



Shell Rimula R3 Turbo 15W-40

BLUMOIL 15W40

Ref: 550041568

Base oil of high miscibility with other products, low viscosity (<math> < 20.5 \text{ mm}^2 / \text{s}</math> at 40 ° C)

Appearance: Liquid at room temperature.

Colour: Amber.

Smells: Light hydrocarbon.

Boiling point: > 280 °C

Flash point: 230 °C

API: CH-4, CG-4, CF-4, CF; ACEA: E5, E3; Caterpillar: ECF-1-A; Cummins: CES 20077, 76, 75, 72, 71; DDC: 93K215; Mack: EO-M, EO-M+; MAN: M3275; MB Approval: 228.3; MTU: Category 2; Renault Trucks: RD-2; Volvo: VDS-2 Allison C4

209l.



Shell Rimula R4 L 15W-40

BLUMOIL 10W40 SINTETIC

Ref: 550047251

Base oil of high miscibility with other products, low viscosity (<20.5 mm² / s at 40 ° C)

Appearance: Liquid

Colour: Clear

Smells: Light hydrocarbon.

Boiling point: > 280 °C

Flash point: 230 °C

API: CJ-4, CI-4+, CI-4, CH-4, CG-4, CF-4, CF; ACEA: E7, E9, Iveco T2 E7 (Meets); Caterpillar: ECF-2, ECF-3; Cummins: CES 20081, 77, 72, 71; DDC: 93K218; Deutz: DQC-III-05; MACK: EO-O Premium Plus; MAN: M3275; MB Approval: 228.3, 228.31; MTU: Catagory 2; Renault Trucks: RLD-3; Volvo: VDS-4, VDS-3

20l.



Shell Rimula R4 L 15W-40

BLUMOIL 10W40 SINTETIC

Ref: 550047252

Base oil of high miscibility with other products, low viscosity (<20.5 mm² / s at 40 ° C)

Appearance: Liquid

Colour: Clear

Smells: Light hydrocarbon.

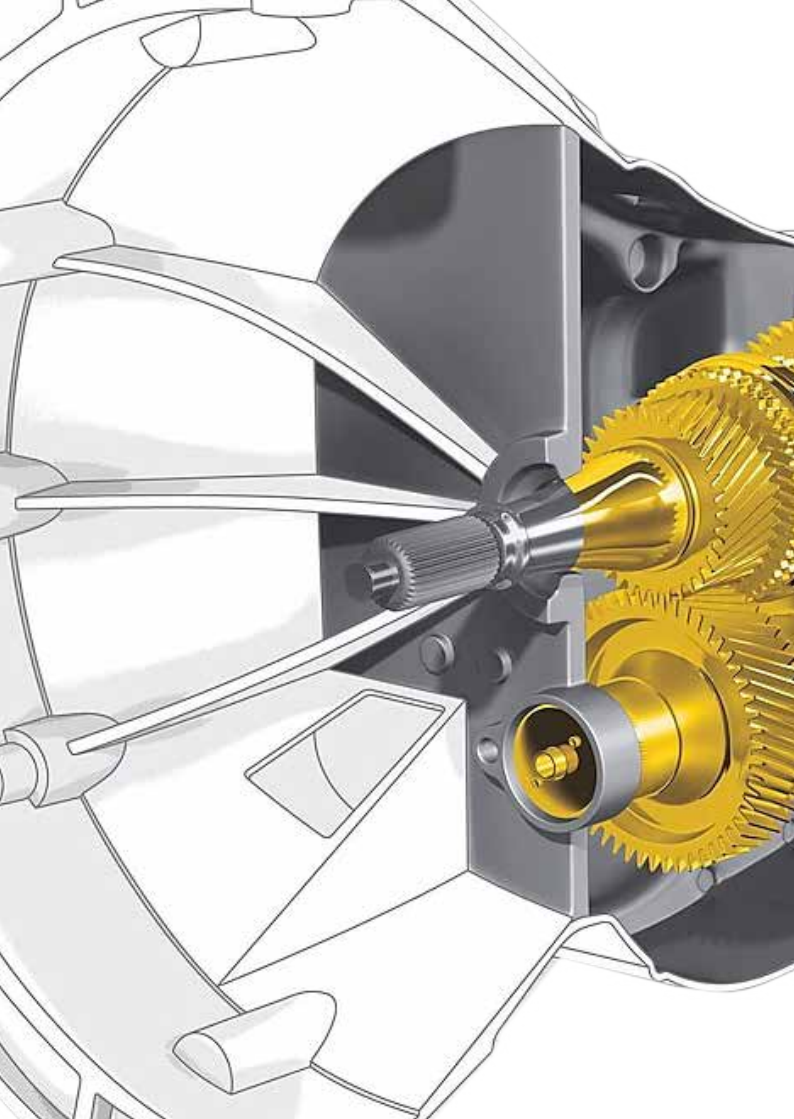
Boiling point: > 280 °C

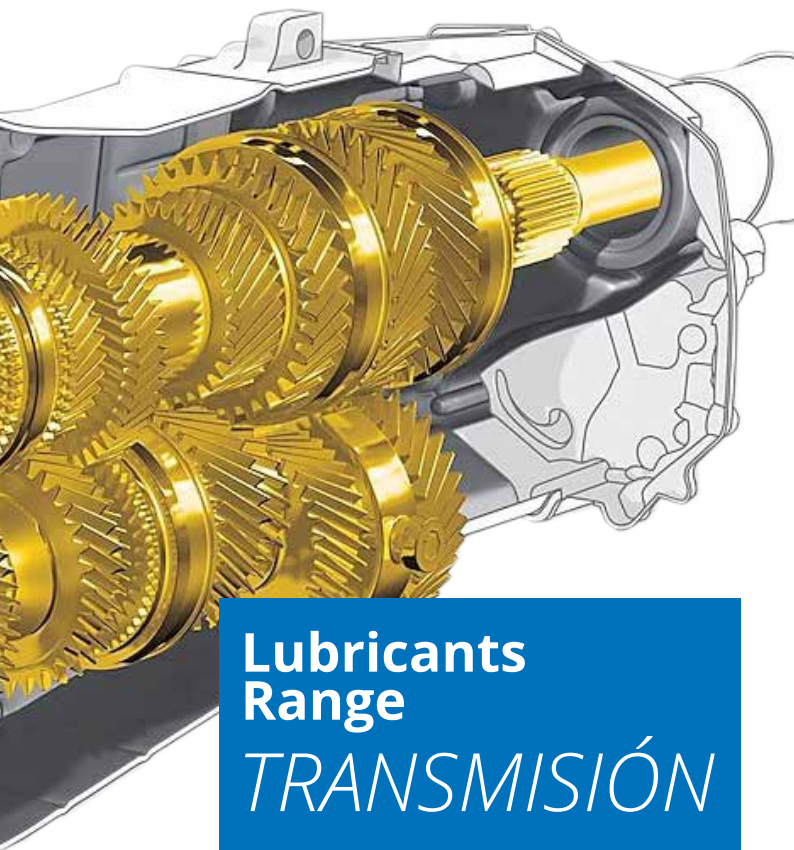
Flash point: 230 °C

API: CJ-4, CI-4+, CI-4, CH-4, CG-4, CF-4, CF; ACEA: E7, E9, Iveco T2 E7 (Meets); Caterpillar: ECF-2, ECF-3; Cummins: CES 20081, 77, 72, 71; DDC: 93K218; Deutz: DQC-III-05; MACK: EO-O Premium Plus; MAN: M3275; MB Approval: 228.3, 228.31; MTU: Catagory 2; Renault Trucks: RLD-3; Volvo: VDS-4, VDS-3

209l.







**Lubricants
Range**

TRANSMISIÓN

Shell Spirax S4 CX 10W

BLUMOIL TO4 SAE10

Ref: 550027807

Base oil of high miscibility with other products, low viscosity (<20.5 mm² / s at 40 ° C)

Appearance: Liquid

Colour: Clear

Smells: Light hydrocarbon.

Boiling point: > 280 °C

Flash point: 200 °C

20l.



Meets the requirements of SAE J 300. Suitable for use when the following specifications are required: Caterpillar - TO-4 tractor

.....

Shell Spirax S4 CX 10W

BLUMOIL TO4 SAE10

Ref: 550027805

Base oil of high miscibility with other products, low viscosity (<20.5 mm² / s at 40 ° C)

Appearance: Liquid

Colour: Clear

Smells: Light hydrocarbon.

Boiling point: > 280 °C

Flash point: 200 °C

209l.



Meets the requirements of SAE J 300. Suitable for use when the following specifications are required: Caterpillar - TO-4 tractor

Shell Spirax S4 CX 30

BLUMOIL TO4 SAE30

Ref: 550027949

20l.

Base oil of high miscibility with other products, low viscosity (<20.5 mm² / s at 40 ° C)

Appearance: Liquid at room temperature.

Colour: Amber.

Smells: Light hydrocarbon.

Boiling point: > 280 °C

Flash point: 205 °C



Meets the requirements of SAE J 300. Suitable for use when the following specifications are required: Caterpillar - TO-4 tractor

.....

Shell Spirax S4 CX 30

BLUMOIL TO4 SAE30

Ref: 550027806

209l.

Base oil of high miscibility with other products, low viscosity (<20.5 mm² / s at 40 ° C)

Appearance: Liquid at room temperature.

Colour: Amber.

Smells: Light hydrocarbon.

Boiling point: > 280 °C

Flash point: 205 °C



Meets the requirements of SAE J 300. Suitable for use when the following specifications are required: Caterpillar - TO-4 tractor

Shell Spirax S2 A 80W-90

BLUMOIL GL5 80W90

Ref: 550027904

Base oil of high miscibility with other products, low viscosity (<math> < 20.5 \text{ mm}^2 / \text{s}</math> at 40 ° C)

Appearance: Liquid at room temperature.

Colour: Amber.

Smells: Light hydrocarbon.

Boiling point: > 280 °C

Flash point: 175 °C

Meets the requirements of API GL-5

20l.



Shell Spirax S2 A 85W-140

BLUMOIL GL5 85W140

Ref: 550027934

Base oil of high miscibility with other products, low viscosity (<math> < 20.5 \text{ mm}^2 / \text{s}</math> at 40 ° C)

Appearance: Liquid at room temperature.

Colour: Amber.

Smells: Light hydrocarbon.

Boiling point: > 280 °C

Flash point: 215 °C

Meets the requirements of API GL-5

20l.



Shell Spirax S4 TXM

BLUMOIL MTO LONG LIFE

Ref: 550027810

Base oil of high miscibility with other products, low viscosity ($20.5 \text{ mm}^2 / \text{s}$ at 40 ° C)

Appearance: Liquid

Colour: Clear

Smells: Light hydrocarbon.

Boiling point: > 280 °C

Flash point: 220 °C

20l.



Meets the requirements of API GL-4, MAT-3525 M2C-134 A-D, FNHA-2-D.201.00, JDM-J20C, M1143 M1145, WB 101 ZF TE-ML 03E, 05F, 06D, 06K, 17E. Spirax is also recommended for use in case equipment where fluids comply with MS 1204, 1206, 1207, 1209 or 1210 are specified. Spirax S4 TXM can be used when a SAE J 306 85W grade is recommended.

Shell Spirax S2 ATF AX

BLUMOIL DEXRON III

Ref: 550027799

Base oil of high miscibility with other products, low viscosity ($20.5 \text{ mm}^2 / \text{s}$ at 40 ° C)

Appearance: Liquid

Colour: Rojo

Smells: Light hydrocarbon.

Boiling point: > 280 °C

Flash point: 180 °C

20l.



Meets the requirements of API GL-5

Shell Spirax S2 ALS 90

BLUMOIL GL5 90 LS

Ref: 550027908

Base oil of high miscibility with other products, low viscosity (<math><20.5 \text{ mm}^2 / \text{s}</math> at 40 ° C)

Appearance: Liquid at room temperature.

Colour: Amber.

Smells: Light hydrocarbon.

Boiling point: > 280 °C

Flash point: 210 °C

Approved by ZF for ZF TE-ML 05C, 12C and 16E. Meets API GL-5 requirements; limited slip; MIL-PRF-2105E (MIL-L-2105D)

20l.



Shell Spirax S2 ALS 90

BLUMOIL GL5 90 LS

Ref: 550027905

Base oil of high miscibility with other products, low viscosity (<math><20.5 \text{ mm}^2 / \text{s}</math> at 40 ° C)

Appearance: Liquid at room temperature.

Colour: Amber.

Smells: Light hydrocarbon.

Boiling point: > 280 °C

Flash point: 210 °C

Approved by ZF for ZF TE-ML 05C, 12C and 16E. Meets API GL-5 requirements; limited slip; MIL-PRF-2105E (MIL-L-2105D)

209l.



Shell Spirax S4 CX 50

BLUMOIL TO4 SAE50

Ref: 550027808

Base oil of high miscibility with other products, low viscosity (<20.5 mm² / s at 40 ° C)

Appearance: Liquid at room temperature.

Colour: Amber.

Smells: Light hydrocarbon.

Boiling point: > 280 °C

Flash point: 205 °C

209l.



Meets the requirements of SAE J 300. Suitable for use when the following specifications are required: Caterpillar - TO-4 tractor

ISO Viscosity Grade	Midpoint Kinematic Viscosity mm ² at 40°C (104°F)	Kinematic Viscosity Limit mm ² at 40°C (104°F) Minimum	Kinematic Viscosity Limit mm ² at 40°C (104°F) Maximum
ISO VG 2	2.2	1.98	2.42
ISO VG 3	3.2	2.88	3.52
ISO VG 5	4.6	4.14	5.06
ISO VG 7	6.8	6.12	7.46
ISO VG 10	10	9.00	11.0
ISO VG 15	15	13.5	16.5
ISO VG 22	22	19.8	24.2
ISO VG 32	32	29.8	35.2
ISO VG 46	46	41.4	50.6
ISO VG 68	68	61.2	74.8
ISO VG 100	100	90.0	110
ISO VG 150	150	135	165
ISO VG 220	220	198	242
ISO VG 320	320	288	352
ISO VG 460	460	414	506
ISO VG 680	680	612	748
ISO VG 1000	1000	900	1100
ISO VG 1500	1500	1350	1650
ISO VG 2200	2200	1980	2420
ISO VG 3200	3200	2880	3520

Branch offices

Blumaq, S.A.

Pol. Ind. Belcaire, parcela 202
12600 - Vall de Uxó (CASTELLÓN)
T +34 964 697 030
F +34 964 697 040
E-mail blumaq@blumaq.com

Blumaq Alicante

Pol. Ind. Las Atalayas, parcela 89
03114 - Alicante (ALICANTE)
T +34 965 284 822
F +34 965 116 519
E-mail alicante@blumaq.es

Blumaq Almería

Pol. Ind. Rubira Sola, parcela H-20
04867 - Macael (ALMERÍA)
T +34 950 126 146
F +34 950 126 147
E-mail almeria@blumaq.es

Blumaq Asturias

Pol. Ind. Falmuria, Avd. Guimarán, 19
33438 - Frendes (ASTURIAS)
T +34 985 990 910
F +34 985 990 911
E-mail asturias@blumaq.es

Blumaq Barcelona

C/ Libatona, 8 nave A-8
08840 - Viladecans (BARCELONA)
T +34 936 378 838
F +34 936 378 738
E-mail barcelona@blumaq.es

Blumaq Coruña

Pol. Ind. Bergondo, parcela I 6
15165 - Bergondo (CORUÑA)
T +34 981 783 494
F +34 981 784 837
E-mail galicia@blumaq.es

Blumaq Madrid

Pol. Ind. Finanzauto, C/Cuarzo, 13-15
28500 - Arganda del Rey (MADRID)
T +34 918 729 175
F +34 918 719 101
E-mail madrid@blumaq.es

Blumaq Mérida

Pol. Ind. El Prado, C/ Valencia,
parcela 01-B10
06800 - Mérida (BADAJOZ)
T +34 924 371 066
F +34 924 371 479
E-mail merida@blumaq.es

Blumaq Ponferrada

Pol. Ind. de Camponaraya, sector II, parc. 18
24410 - Camponaraya (LEÓN)
T +34 987 455 052
F +34 987 455 504
E-mail leon@blumaq.es

Blumaq Sevilla

Pol. Ind. Merinales, nave 4
41700 - Dos Hermanas (SEVILLA)
T +34 954 689 920
F +34 954 689 921
E-mail sevilla@blumaq.es

Blumaq Tenerife

José Malcomado Doguer, 10
38009 - Santa Cruz de Tenerife (CANARIAS)
T +34 922 232 833
F +34 922 217 992
E-mail tenerife@blumaq.es

Blumaq Zaragoza

Pol. Ind. Malpica, calle F-39
50016 - Zaragoza (ZARAGOZA)
T +34 976 573 551
F +34 976 570 848
E-mail zaragoza@blumaq.es

Blumasur, S.L.

Pol. de la Torreclilla,
proyecto. Ingeniero Torres Quevedo, 3
14013 - Córdoba (CÓRDOBA)
T +34 957 420 034
F +34 957 420 017

José Luis Núñez S.L.

Pg. Artunduaga - Etxe Aurreko, 13, 2G
48970 - Basauri (VIZCAYA)
T +34 944 262 732
F +34 944 403 108

Blumaq Peças para Máquinas Industriais Lda

Rua do Casalinho, Casa do Homem - Pousos
2410.201, Leiria - PORTUGAL
T +351 244 802 342
F +351 244 802 334
E-mail blumaqportugal@blumaq.com

Blumaq France s.a.r.l. - Agence IDF

240 rue Hélène Boucher BP217
78532 - Buc Cedex - FRANCE
T +33 (0) 1 30 83 09 59
F +33 (0) 1 39 56 60 30
E-mail blumaqidf@blumaq.com

Blumaq France s.a.r.l. - Agence PACA

Europarc de Pichaury
13290 Aix en Provence - FRANCE
T +33 (0) 4 42 50 50 05
F +33 (0) 4 42 50 94 85
E-mail blumaqpac@blumaq.com

Blumaq Chile, S.A.

Av. Presidente Eduardo Frei Montalva,
N° 7070, Bodega # 28.
8700489 Quilicura. Santiago de Chile - CHILE
T +56 2 27391257
E-mail blumaqchile@blumaq.com

Blumaq Corp.

7859 NW 99 Street
Hialeah Gardens, FL 33016 - USA
Toll Free Sales: +1 844 314 9016
T +1 305 558 4051
F +1 305 558 4262
E-mail blumaqmiami@blumaq.com

Blumaq Corp.

4395 Pidgeon Roost Road
Memphis, TN 38118 - USA
T +1 901 347 3217
F +1 812 615 0194
E-mail blumaqmemphis@blumaq.com

Blumaq Endüstriyel Makina Ürünleri San ve Tic.

Ltd.Şti.
Idealtepe Mahallesi
Denizcilik Sokak No:14/2
34841 Küçükyalı, Maltepe, İstanbul - TURKEY
T +9 0216 4898740
F +9 0216 3668567
E-mail blumaqturkey@blumaq.com

Blumaq Endüstriyel Makina Ürünleri San ve Tic.

Ltd.Şti.
Görece Cumhuriyet Mahallesi İzdepe 2
Mihalpaşa Cad. No:249/9
35473 Mendere, Izmir - TURKEY
T +90 232 502 32 35
F +90 232 502 32 36
E-mail blumaqzmir@blumaq.com

Blumaq Endüstriyel Makina Ürünleri San ve Tic.

Ltd.Şti.
1183 Cad. No:8
OSTİM 08374, Ankara - TURKEY
T +90 3125028381
F +90 3125028372
E-mail blumaqankara@blumaq.com

Blumaq China

Room 601, Dongcheng International Plaza
N° 796 Yaoga Road - Jianguang District
315040 Ningbo - CHINA
T +86 574 2795 1982
F +86 574 2795 1986
E-mail blumaqchina@blumaq.com

Blumaq Italia s.r.l.

Via del Campo, 2
40012 Calderara di Reno, Bologna - ITALY
T +39 051 733118
F +39 051 731953
E-mail blumaqitalia@blumaq.com

Blumaq Co.Ltd

195030, Chimikov street, h 28, of 406
Saint-Petersburg - RUSSIA
T +7 (812) 612-25-75
F +7 921 792 64 62
E-mail blumaqrossia@blumaq.com

Blumaq Co.Ltd

Lesnaya Str., 7, office 7
125047 Moscow - RUSSIA
T +7 (495) 664-62-14
E-mail blumaqmoscow@blumaq.com

Blumaq Ro S.R.L.

Str. Livezi, 35G Alba Iulia - ROMANIA
T +40 358401 110
F +40 358401 110
E-mail blumaqromania@blumaq.com

Blumaq South Africa (Pty) Ltd.

Unit 8, Osborn Park, Barfoot Road
Estera, Germiston - SOUTH AFRICA
T +27 0119665092
E-mail southafrica@blumaq.com

Blumaq Zambia Limited

Plot 4976/M
33 Kitwe/Ndola Road
Kitwe - ZAMBIA
T +260966469200
E-mail zambia@blumaq.com

Blumaq Perú S.A.C.

Av. Nicolás Arriola 2140, San Luis,
Lima 30 - PERU
T +51 1 5003890
F +51 995 070770
E-mail blumaqperu@blumaq.com